

Installation and User's Guides

This document contains an abbreviated version of the installation instructions for the TQ6602 Wireless Access Point. For complete installation and management instructions, refer to the *TQ6602 Wireless Access Point Installation Guide* and *TQ6602 Management Software User's Guide* on the Allied Telesis web site at www.alliedtelesis.com/support.

Safety and Electromagnetic Emissions Certificates

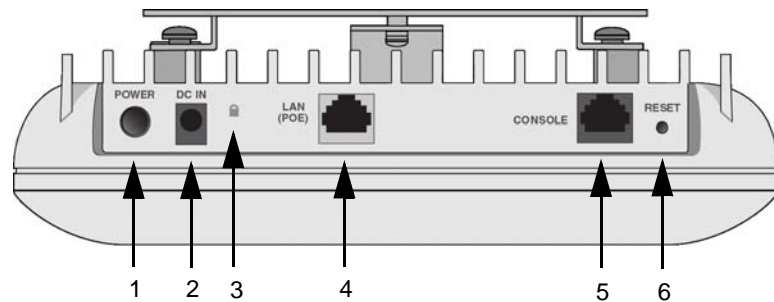
For Safety and Electromagnetic Emissions certificates, refer to the *TQ6602 Wireless Access Point Installation Guide*.

Installation Options

You can install the TQ6602 Wireless Access Point on a desktop, wall or ceiling.

Physical Description

The back panel is shown here:



- | | | |
|--|---------------------------|------------------------|
| 1. Power On/Off Button for DC IN Connector | 3. Kensington Lock Port | 5. Console Serial Port |
| 2. DC IN Connector for AC/DC Adapter | 4. Ethernet LAN POE+ Port | 6. Reset Button |

Package Contents

The wireless access points come with the following items in the shipping container:

- One TQ6602 Wireless Access Point
- This Quick Installation Guide
- One wall mounting bracket
- Two M5 x8mm pan-head mounting-bracket screws

If any item is missing or damaged, contact your Allied Telesis sales representative for assistance. You should retain the original shipping material in case you need to return the unit to Allied Telesis.

Safety Precautions and Site Requirements

Review the safety precautions and site requirements in the *TQ6602 Wireless Access Point Installation Guide* before installing the device.

Power Sources for the Wireless Access Point

You can power the device with a PoE+ power source on the LAN (POE) network copper port or an external AC/DC power adapter, such as the PWRADP-01 (DA-48Z12) AC/DC Power Adapter. The power adapter is ordered separately. For installation information for the power adapter and anti-theft cable/lock device, refer to the *TQ6602 Wireless Access Point Installation Guide*.

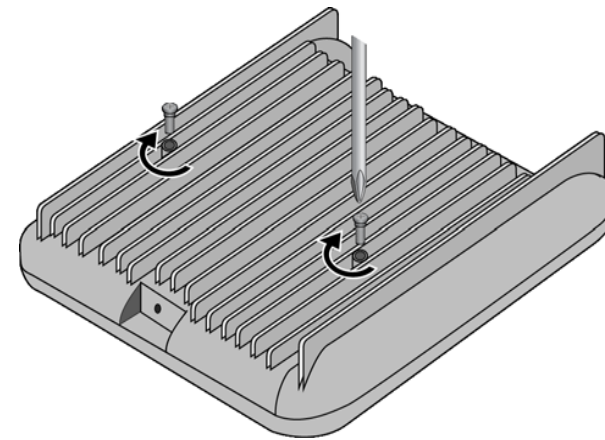
Installing the Wireless Access Point on a Desktop

To install the access point on a table desktop, perform the following procedure:

Note

Allied Telesis recommends installing the wall mounting bracket on the bottom panel of the wireless access point when installing the device on a table. The bracket will facilitate airflow through the cooling fins on the bottom of the device.

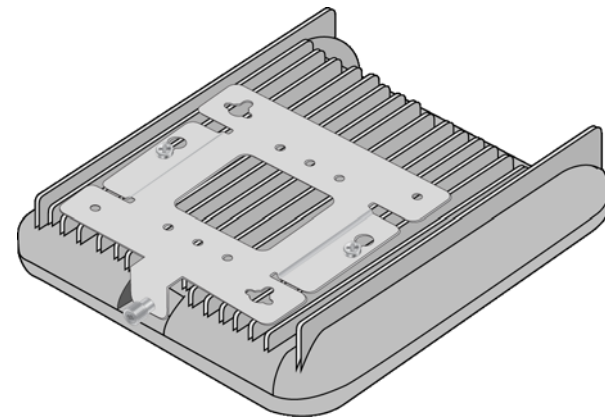
1. Place the wireless access point upside down on a table.
2. Install the two M5 x8mm pan-head mounting-bracket screws (included) fully into the bottom panel of the wireless access point.



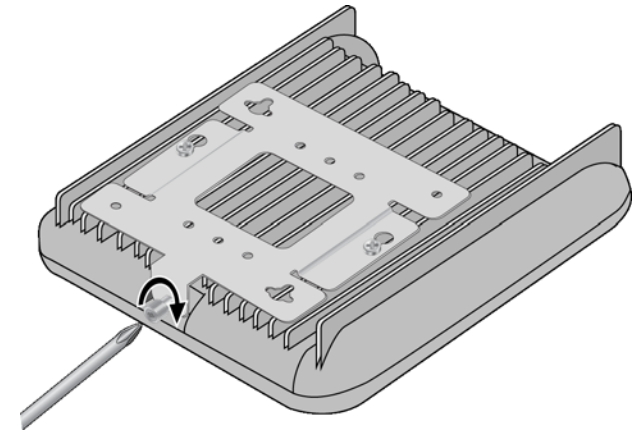
The screw collar provides the proper spacing for the mounting bracket beneath the screw head.



3. Slide the mounting bracket beneath the screws.



4. Tighten the bracket retaining screw.

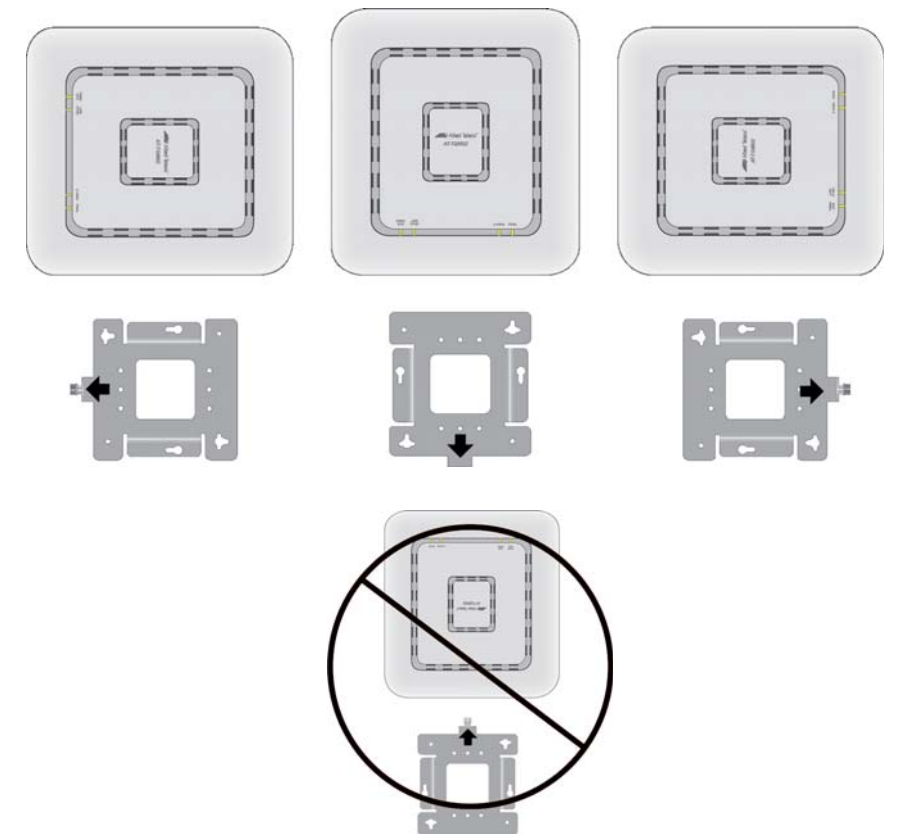


5. Turn the wireless access point upright on the table.
6. Place the wireless access point at the selected location.
7. Go to "Cabling and Powering the Wireless Access Point".

Installing the Wireless Access Point on a Wall or Ceiling

Installing the Wall Mounting Bracket

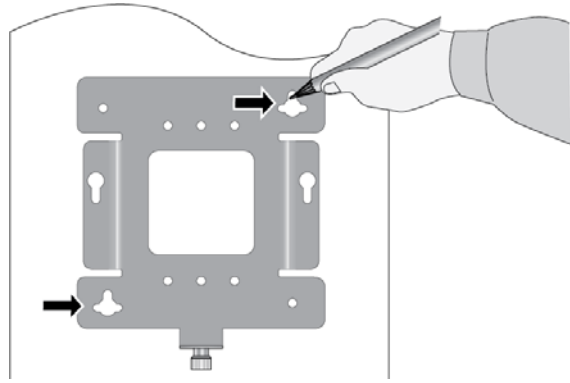
You can install the wireless access point on a wall with the front panel pointing to the left, down, or right. Do not install it with the front panel pointing up.



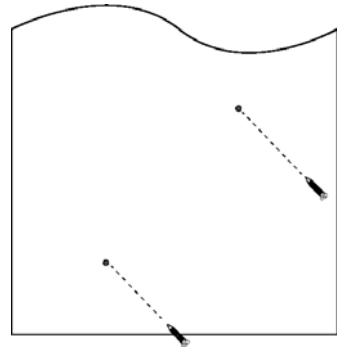
1. Choose a location and orientation for the access point on the wall or ceiling.
2. Position the mounting bracket at the selected location for the access point. Review the following guidelines:
 - The thumbscrew on the mounting bracket is where the front panel will be.
 - The ports and connectors are on the back panel, away from the thumbscrew.



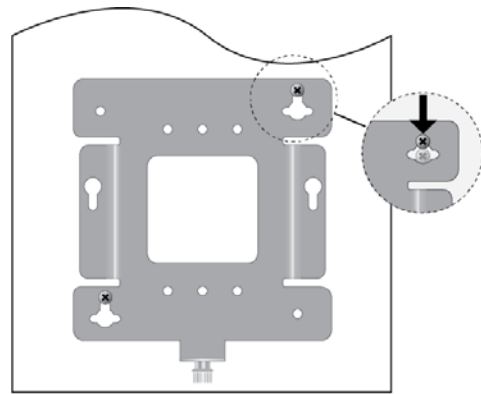
- With a pencil, mark the two key-hole slots on the wall or ceiling.



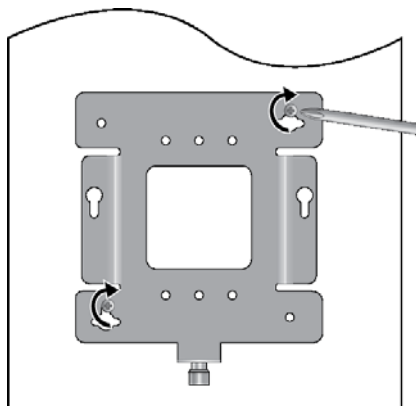
- If necessary, pre-drill on the wall or ceiling the two marked locations of the key-hole slots for the screws.
- Install two screws and anchors (if required) into the wall or ceiling. Leave the screws loose enough so that you can slide the bracket under the screw heads. For wooden walls, Allied Telesis recommends M4 25.0mm flat-head wood screws and anchors.



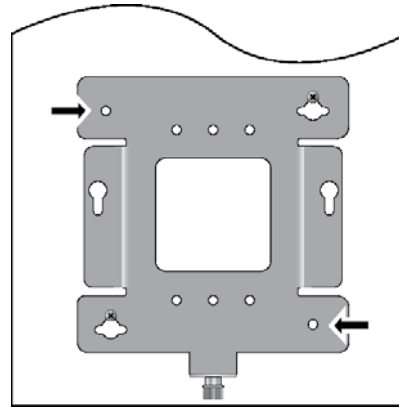
- Install the bracket on the screws by sliding the key-hole slots under the screw heads.



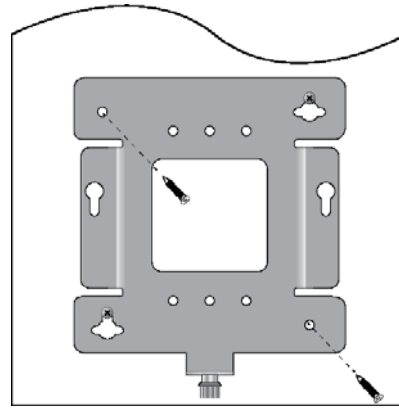
- Tighten the screws snugly onto the bracket.



- To secure the mounting bracket, pre-drill holes through the two bracket mounting holes opposite the key-hole slots.

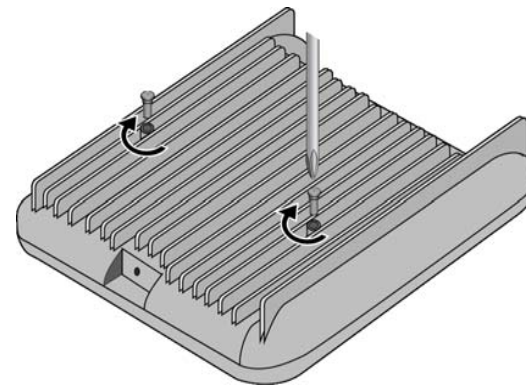


- Install two M4 screws (not provided). This completes the bracket installation.

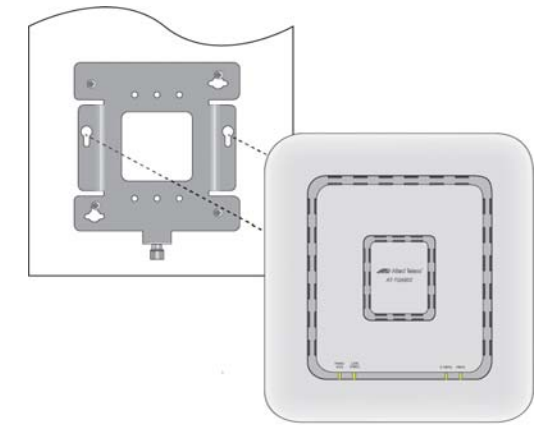


Installing the Access Point on the Wall Mounting Bracket

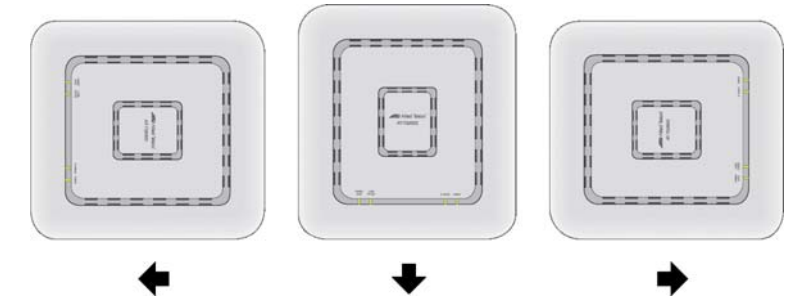
- Place the wireless access point upside down on a table.
- Install the two M5 x8mm pan-head mounting-bracket screws (provided) in the bottom panel of the access point chassis.



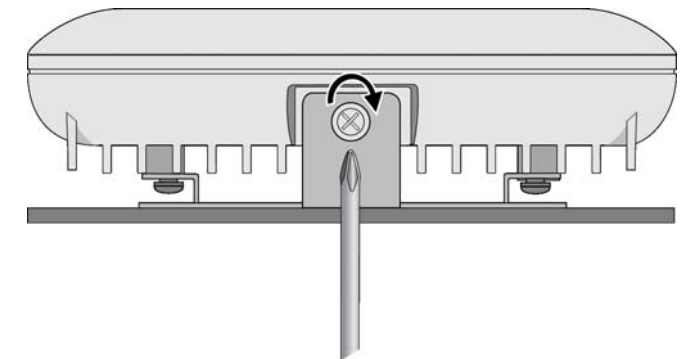
- Align the bottom of the access point over the bracket so that the two screws on the bottom of the device fit into the bracket keyholes.



- Slide the wireless access point so that its screws are seated in the bracket keyhole slots and the bracket thumbscrew is aligned with the screw hole on the front panel.



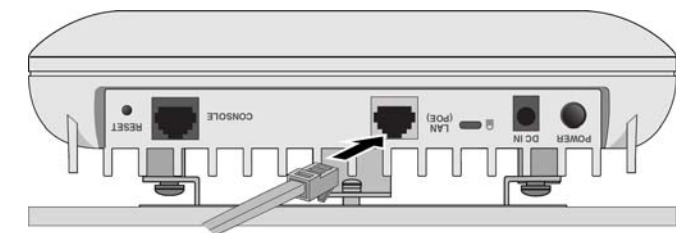
- Tighten the thumbscrew to secure the wireless access point to the wall mounting bracket.



Cabling and Powering the Wireless Access Point

Perform the following procedure to cable the Ethernet LAN port and to power the device:

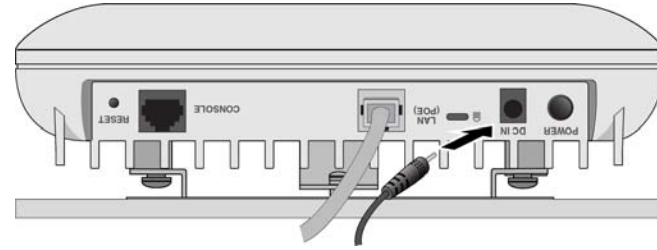
- Connect an Ethernet cable to the LAN (POE) port.



Note

If the Ethernet cable is connected to a PoE+ power source device, the TQ6602 wireless access point powers on and begins to initialize its management software.

- To power the access point with a DC power supply, plug the DC connector into the DC IN jack.



- To secure the device against theft, install an anti-theft cable/lock on the Kensington lock. Follow the instructions provided with the vendor's anti-theft device. Anti-theft devices are not available from Allied Telesis.

Starting the Initial Management Session

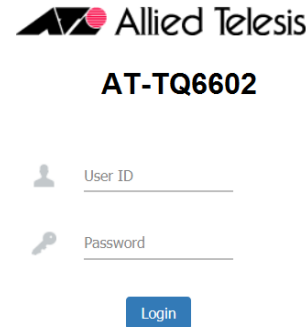
This section contains an abbreviated version of the procedure for starting the initial management session. For complete instructions, refer to the *TQ6602 Wireless Access Point Installation Guide* or *TQ6602 Management Software User's Guide*.

The wireless access point firmware includes a DHCP client. The default setting for the client is enabled. When you power on the access point for the first time, it queries the subnet on the LAN port for a DHCP server. If a DHCP server responds to its query, the unit uses the IP address the server assigns to it. If there is no DHCP server, the access point uses the default IP address 192.168.1.230.

To start the initial management session, perform the following procedure:

- Start the web browser on your management workstation.
- Enter the IP address of the wireless access point in the URL field of the web browser. The address is one of the following:
 - If your network does not have a DHCP server, enter the default address 192.168.1.230.
 - If your network has a DHCP server, enter the IP address the DHCP server assigned to the access point.

The wireless access point displays the logon prompt.



- Enter "manager" for the username and "friend" for the password. The username and password are case-sensitive.

Setting the Country Setting

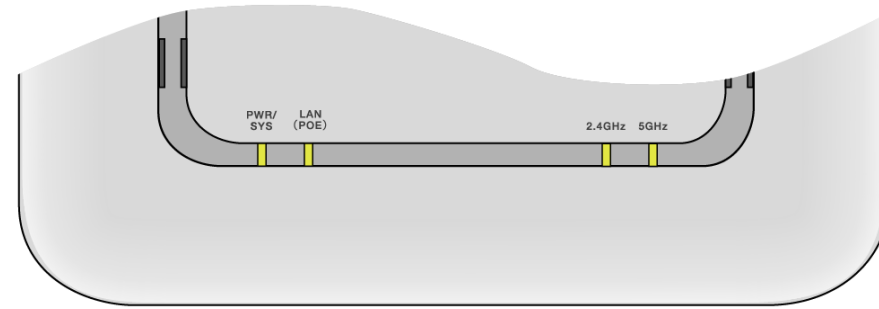
For instructions on setting the country setting, refer to the *TQ6602 Wireless Access Point Installation Guide* or *TQ6602 Management Software User's Guide*.

Note

The non-US model of this product has a country code setting that must be set during the initial management session of the unit. The setting ensures that the unit operates in compliance with the laws and regulations of your country or region.

The country code for the US model is preset and cannot be changed. Per FCC regulations, the country code setting for all WiFi products marketed in the US must be fixed to US operational channels only.

LEDs



The top panel LEDs are described in this table.

Table 1. LED Status Information

LED	State	Description
PWR/ SYS	Solid Green	The access point is powered on and operating normally.
	Solid Red	The device is booting up or is experiencing a fault condition.
	Blinking Red	The access point is updating its firmware.
	OFF	The access point is not receiving power.
LAN (POE)	Solid Green	The port has established a valid link to a network device.
	Blinking Green	The port is transmitting or receiving data.
	Solid Amber	The LAN port is connected to a PoE+ source device.
	OFF	The port has not established a link to a network device.
2.4GHz	Solid Green	The 2.4GHz Wi-Fi interface is enabled.
	Slow Blinking Green	The access point is querying the wireless network on the 2.4GHz radio for a Smart Connect network of Vista Manager EX and the AWC plug-in.
	Fast Blinking Green	The access point has discovered a Smart Connect network and is automatically configuring its settings from the AWC plug-in.
	OFF	The 2.4GHz Wi-Fi interface is disabled.
5GHz	Solid Green	The 5GHz Wi-Fi interface is enabled.
	Slow Blinking Green	The access point is querying the wireless network on the 5GHz radio for a Smart Connect network of Vista Manager EX and the AWC plug-in.
	Fast Blinking Green	The access point has discovered a Smart Connect network and is automatically configuring its settings from the AWC plug-in.
	OFF	The 5GHz Wi-Fi interface is disabled.

Federal Communication Commission Interference Statement

Declaration of Conformity

Manufacturer Name: **Allied Telesis**

Declares that the product: **802.11ax 4x4+4x4 dual radio 2.4G/5G wireless access point**
Model Number: **AT-TQ6602**

This device complies with Part 15 of the FCC Rules. Operation is subject to the following two conditions: (1) This device may not cause harmful interference, and (2) this device must accept any interference received, including interference that may cause undesired operation.

This equipment has been tested and found to comply with the limits for a Class B digital device, pursuant to Part 15 of the FCC Rules. These limits are designed to provide reasonable protection against harmful interference in a residential installation. This equipment generates, uses and can radiate radio frequency energy and, if not installed and used in accordance with the instructions, may cause harmful interference to radio communications. However, there is no guarantee that interference will not occur in a particular installation. If this equipment does cause harmful interference to radio or television reception, which can be determined by turning the equipment off and on, the user is encouraged to try to correct the interference by one of the following measures:

- Reorient or relocate the receiving antenna.
- Increase the separation between the equipment and receiver.
- Connect the equipment into an outlet on a circuit different from that to which the receiver is connected.
- Consult the dealer or an experienced radio/TV technician for help.

FCC Caution: Any changes or modifications not expressly approved by the party responsible for compliance could void the user's authority to operate this equipment.

This transmitter must not be co-located or operating in conjunction with any other antenna or transmitter.

Radiation Exposure Statement

This equipment complies with FCC radiation exposure limits set forth for an uncontrolled environment. This equipment should be installed and operated with minimum distance 20 cm between the radiator and your body.

European Union Restriction of the Use of Certain Hazardous Substances (RoHS) in Electrical and Electronic Equipment

This Allied Telesis RoHS-compliant product conforms to the European Union Restriction of the Use of Certain Hazardous Substances (RoHS) in Electrical and Electronic Equipment. Allied Telesis ensures RoHS conformance by requiring supplier Declarations of Conformity, monitoring incoming materials, and maintaining manufacturing process controls. For additional regulatory statements, refer to the *TQ6602 Wireless Access Point Installation Guide*.

Industry Canada Statement

This device contains licence-exempt transmitter(s)/receiver(s) that comply with Innovation, Science and Economic Development Canada's licence-exempt RSS(s). Operation is subject to the following two conditions:

- This device may not cause interference.
- This device must accept any interference, including interference that may cause undesired operation of the device.

For more information, refer to the *TQ6602 Series Wireless Access Point Installation Guide*.

Europe - EU Declaration of Conformity

This device complies with Directive 2014/53/EU issued by the Commission of the European Community. For more information, refer to the *TQ6602 Series Wireless Access Point Installation Guide*.

Product Specifications

The product specifications are listed in the following tables. For a complete list, refer to the *TQ6602 Wireless Access Point Installation Guide*.

Table 2. Physical Specifications

Parameter	Specification
Dimensions (W x D x H)	205 mm X 225 mm X 51 mm (8.07 in. x 8.86 in. x 2.01 in.)
Weight without mounting bracket	1.6 kg (3.5 lbs)
Weight with mounting bracket	1.8 kg (4.0 lbs)

Table 3. Environmental Specifications

Parameter	Specification
Operating Temperature when powered by AC/DC adapter	0° C to 50° C (32° F to 122° F)
Operating Temperature when powered by PoE power source	0° C to 50° C (32° F to 122° F)
Storage Temperature	- 25° C to 70° C (- 13° F to 158° F)
Operating Humidity	5% to 90% non-condensing
Storage Humidity	5% to 95% non-condensing
Maximum Operating Altitude	3000 m (9843 ft)

Table 4. Input Power Specifications

Parameter	Specification
Rated Input Voltage	+12 VDC
Maximum Input Current	4A
Average Input Current	1.26A

Table 5. PoE Power Requirements on the Ethernet Port

Parameter	Specification
Power	20.29 watts
PoE+ Device Classification	Class 4

Table 6. External AC/DC Power Adapter Specifications

Parameter	Specification
Input Voltage Range	100~240 VAC
Input Frequency	50 - 60 Hz
Rated Output Voltage	+12 VDC
Rated Output Current	0-4.0A

Safety and Electromagnetic Emissions

For safety and electromagnetic emissions, refer to the *TQ6602 Wireless Access Point Installation Guide*.

Copyright © 2021 Allied Telesis, Inc.

All rights reserved.

No part of this publication may be reproduced without prior written permission from Allied Telesis, Inc.

Allied Telesis and the Allied Telesis logo are trademarks of Allied Telesis, Incorporated. All other product names, company names, logos or other designations mentioned herein are trademarks or registered trademarks of their respective owners.

Allied Telesis, Inc. reserves the right to make changes in specifications and other information contained in this document without prior written notice. The information provided herein is subject to change without notice. In no event shall Allied Telesis, Inc. be liable for any incidental, special, indirect, or consequential damages whatsoever, including but not limited to lost profits, arising out of or related to this manual or the information contained herein, even if Allied Telesis, Inc. has been advised of, known, or should have known, the possibility of such damages.